

## Specification:

- \* Metal magnetic contacts
- \* Ideal for commercial application or industrial use
- \* Screws included
- \* Standard 18" #22AWG leads
- \* 2 Conductor jacket cable on request (BS-2071J)
- \* Armored cable on request (BS-2071AR)
- \* Longer leads available
- \* Resistor, Diode and Supervisory Loop available on request

## ... Surface Mounted

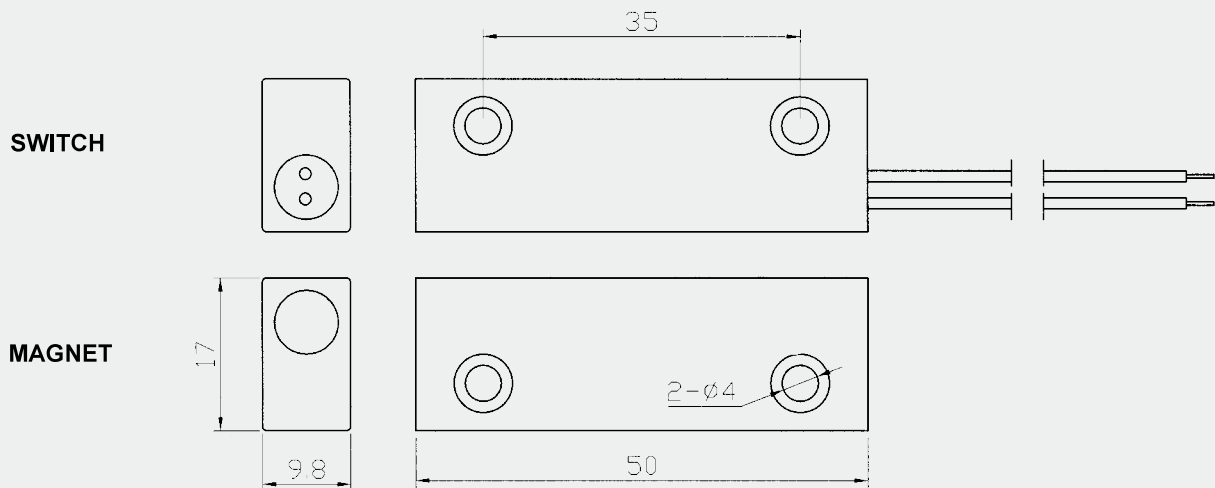
### BS-2071



### BS-2071AR



## Dimension (mm):



## Order Information:

Part Number	Loop Type	Reed Form	Closed Gap [Inch(mm)]	Depature Gap [Inch(mm)]	Maximum Initial Contact Resistance (Ohm)	Maximum Contact Rating (W)	Maximum Switching Voltage (VDC/VAC)	Maximum Switching Current (A)
BS-2071(AR)	Closed	N/O	1.5 (38)	1.65 (42)	0.150	7.5	100	0.4
BS-2071A(AR)	Open	N/C	1 <sup>1</sup> / <sub>4</sub> (32)		0.150	3	30	0.2
BS-2071C(AR)	Closed & Open	SPDT	1 <sup>1</sup> / <sub>4</sub> (32)		0.150	3	30	0.2
BS-2071D(AR)	DPDT	2SPDT	1 <sup>1</sup> / <sub>4</sub> (32)		0.150	3	30	0.2